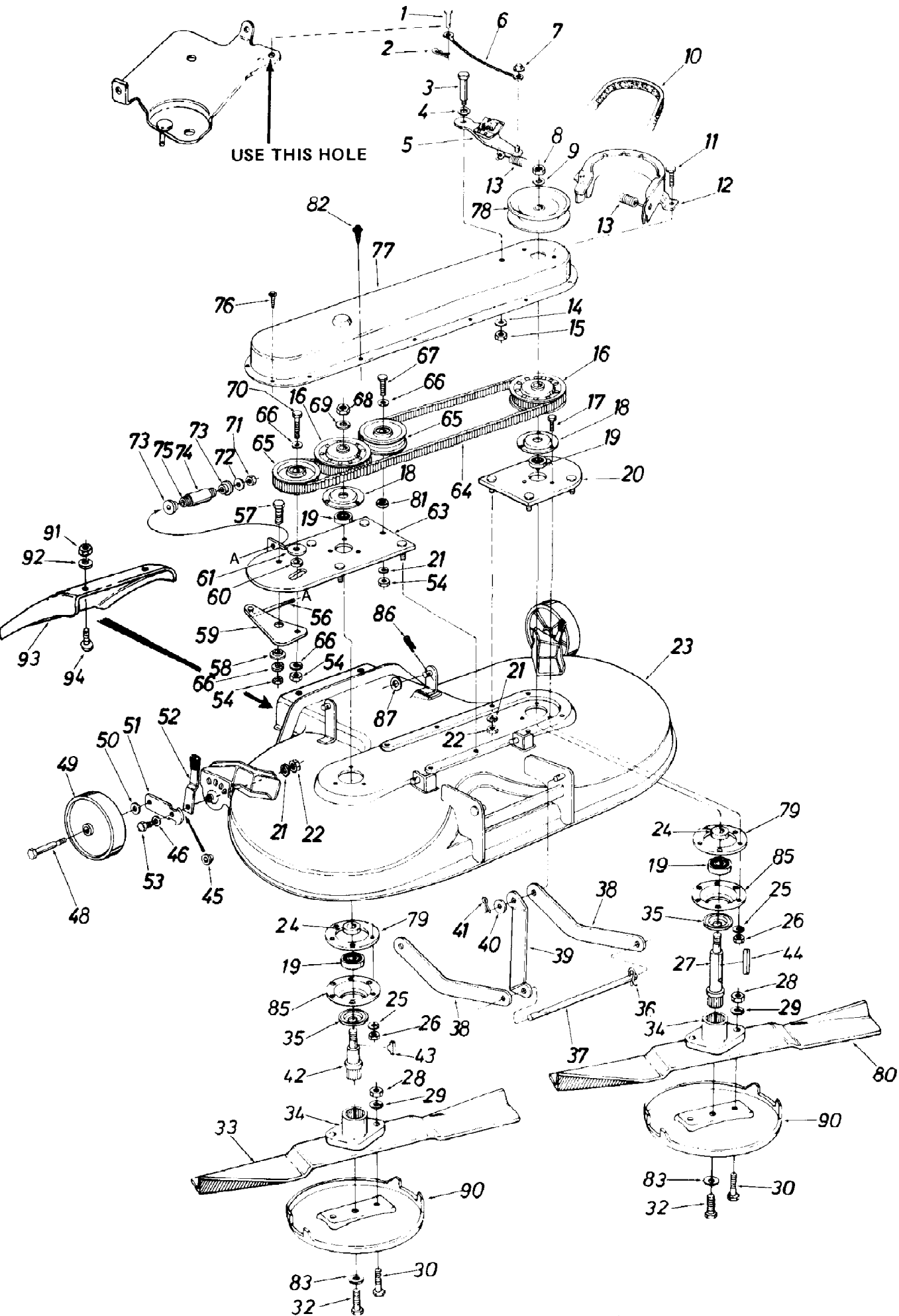


190-931-190 44" Rear Discharge Mowing Deck (1987)
Blade Assembly

Page 2 of 5

Ref #	Part Number	Qty	S/P/F	Description
1	712-0123	1	/P	Hex Nut 5/16-24 Thd.*
2	736-0119	1	S	L.-Wash. 5/16" I.D.*
3	710-0888	1	/P	Hex Bolt 5/16-24 x 1.00" Lg. (Special)
4	736-0217	1	S	L.-Wash. 3/8" I.D., H.D.
5	710-0696	1	/P	Hex Bolt 3/8-24 x .88" Lg. (Grade 5)
6	742-0277	1		Blade-L.H. Rotation
7	748-0235	1	/P	Blade Adapter
8	714-0111	1	S	Cotter Pin 3/32" Dia. x 1.00" Lg.
9	742-0278	1	S	Blade-R.H. Rotation
10	736-0227	1	S	Flat Washer
11	742-0279	1	S	Lower Blade Disc
12	742-0265	1	S	Upper Blade Disc
13	712-0114	1	S	Slotted Hex Nut 1/2-20 Thd.
14	736-0179	1	S	Fl.-Wash. .531" I.D. x 1.25" O.D.
15	750-0610	1	S	Spacer
16	738-0587	1	S	Shld. Scr. .50" Dia. x .36" (Special)

190-931-190 44" Rear Discharge Mowing Deck (1987)
Deck Assembly



190-931-190 44" Rear Discharge Mowing Deck (1987)
Deck Assembly

Page 4 of 5

Ref #	Part Number	Qty	S/P/F	Description
1	711-0701	1	S	Clevis Pin 1/4" Dia. x 1/2" Lg.
2	714-0104	1	S	Hairpin Cotter 1/4" Dia.
3	738-0140	1	S	Shld. Bolt. 437" Dia. x .180" Lg. (5/16-18)
4	736-0141	1	S	Wave Washer 7/16" Scr.
5	16339	1		Spindle Brake Arm Ass'y.
6	746-0237	1	S	Brake Cable Ass'y. (Deck)
7	726-0106	1	S	Push Cap 1/4" Stud.
8	712-0318	1	/P	Hex Jam Nut 5/8-18 Thd.
9	736-0317	1	/P	Bell.-Wash. 5/8" I.D. x 1.25" O.D.
10	754-0230	1	S	"V" Belt
11	710-0599	1	/P	Hex Wash. Hd. Self Tap Scr. 1/4-20 x .50" Lg.
12	14258	1	S	Belt Guard
13	732-0465	1		Extension Spring
14	736-0242	1	/P	Bell.-Wash. .340" I.D.
15	712-0158	1	S	Hex Cent. L-Nut 5/16-18 Thd.
16	756-0334	1		Sprocket Pulley Ass'y.
17	710-0888	1	/P	Hex Bolt 5/16-24 x 1.00" Lg. (Grade 5)
18	08253	1	S	Bearing Housing
19	741-0919	1	S	Ball Bearing .787" I.D. x 1.85" O.D.
20	13868	1		Spindle Plate Ass'y.
21	736-0169	1	S	L.-Wash. 3/8" I.D.*
22	712-0711	1	/P	Hex Jam Nut 3/8-" Thd.
23	14251	1		44" R.D. Deck Ass'y.
24	750-0456	1	S	Spacer
25	736-0119	1	S	L.-Wash. 5/16" I.D.*
26	712-0123	1	/P	Hex Nut 5/16-24 Thd.*
27	738-0504	1		Blade Spindle-L.H.
28	712-0123	1	/P	Hex Nut 5/16-24 Thd.*
29	736-0119	1	S	L.-Wash. 5/16" I.D.*
30	710-0888	1	/P	Hex Bolt 5/16-24 x 1.00" Lg. (Special)
	736-0217	1	S	L-Wash. 3/8" I.D., H.D.
32	710-0877	1	S	Hex Bolt Cent. L.-3/8 x 24 0 x 88" Lg.
33	742-0216	1		22.5" Blade-L.H. Rotation
34	748-0235	1	/P	Blade Adapter
35	13703	1		Bearing Shield
36	714-0149	1	S	Hairpin Cotter
37	738-0392	1		Deck Connecting Rod
38	13866	1		Deck Stabilizer
39	13867	1		Diagonal Brace
40	736-0192	1	S	Fl.-Wash. .50" I.D. x 1.00 O.D. x .090
41	714-0111	1	S	Cotter Pin 3/32" Dia. x 1.00"-Lg.*
42	738-0505	1		Blade Spindle-R.H.
43	714-0122	1	S	Sq. Key 3/16" x 75" Lg.*
44	714-0133	1	S	Sq. Key 3/16" x 1.50" Lg.*
45	748-0279	1		Shoulder Spacer
46	736-0219	1	S	Bell.-Wash. .400" I.D.
48	738-0455	1	S	Shld. Bolt 3/8-16 x 1.41" Lg.
49	734-0974	1	/P	Wheel Ass'y. Comp. 6" x 1.38
50	736-0105	1	/P	Bell-Wash. 3/8" I.D.
51	10937	1		Wheel Pivot Bar
52	14082	1	/P	Spring Lever Ass'y. w/knob
53	710-0191	1	/P	Hex Bolt 3/8-24 x 1.25" Lg. Grade 5
54	712-0214	1		Nut 3/8-24 Thd.

Ref #	Part Number	Qty	S/P/F	Description
	736-0169	1	S	L.-Wash. 3/8" I.D.*
56	710-0437	1	S	Adjustment Link 5/16-18 x 4-9/16" Lg.
57	710-0152	1	S	Hex Bolt 3/8-24 x 1.00"
58	738-0347	1	S	Shld. Spacer .625" I.D.
59	14256	1		Belt Idler Brkt.
60	750-0507	1		Spacer.380" I.D. x.625" O.D. x.265
61	736-0320	1	/P	Fl.-Wash. .38" I.D. x 1.37" O.D. x .125
63	14254	1		Spindle & Idler Mount Plate Ass'y.
64	754-0260	1	S	HTD Twin Power Belt
65	756-0365	1	S	Fl.-Idler Pulley 3.50" O.D.
66	736-0105	1	/P	Bell.-Wash. .38" I.D.
67	710-0539	1	/P	Hex Bolt 3/8-24 x 1.75" Lg. (Grade 5)
68	712-0318	1	/P	Hex Jam Nut 5/8-18 Thd.*
69	736-0317	1	/P	Bell.-Wash. 5/8" I.D.
70	710-0151	1	/P	Hex Bolt 3/8-24 x 2.00" Lg.
71	712-0429	1	S	Hex Insert L.-Nut 5/16-18 Thd.
72	736-0231	1	S	Fl.-Wash. 344" I.D. x 1.125" O.D. x .125
73	738-0347	1	S	Shld. Spacer.625" I.D.
74	750-0455	1		Spacer-Adj. Bolt
75	732-0377	1		Compression Spring
76	710-0599	1	/P	Hex Wash. Hd. Self Tap Scr. 1/4-20 x .50" Lg.
77	14253	1		Belt Cover
78	756-0375	1		Deck Drive Pulley
79	09164	1	S	Deck Reinforcement Plate
80	742-0215	1		22.5" Blade-R.H. Rotation
81	736-0206	1	S	Fl.-Wash. .38" I.D. x 1.00" O.D.
82	710-0642	1	/P	Hex Wash. Hd. Self Tap-Scr. 1/4-20 x .75" Lg.
83	736-0217	1	S	L.-Wash. 3/8" I.D. Heavy Duty
	742-0279	1	S	Lower Blade Disc
85	15296	1	S	Open Bearing Housing
86	714-0145	1	S	Hairpin Cotter
87	736-0192	1	S	Fl.-Wash. 1/2" I.D.
90	07919	1	S	Anti Scalp Plate
91	712-0287	1	S	Hex Nut 1/4-20 Thd.*
92	736-0329	1	S	L.-Wash. 1/4" I.D.*
93	16411	1		Chute Deflector
94	710-0286	1	/P	Truss Mach. Scr. 1/4-20 x .50" Lg.